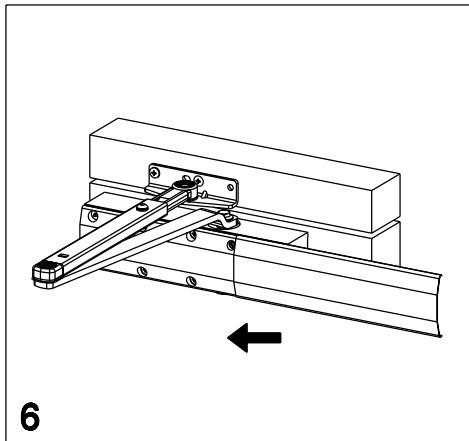
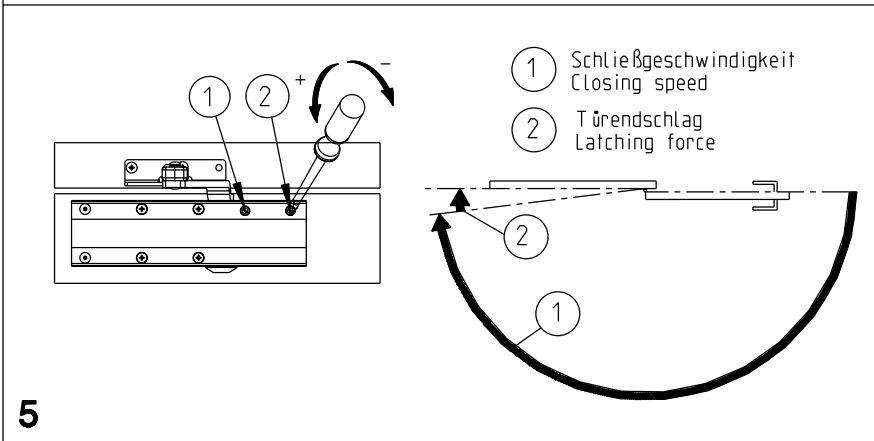
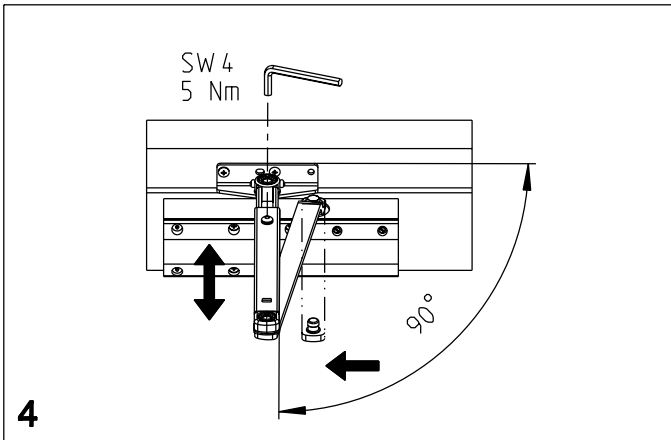
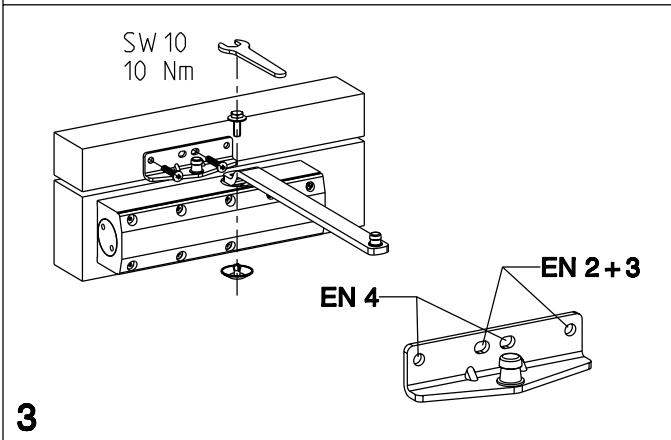
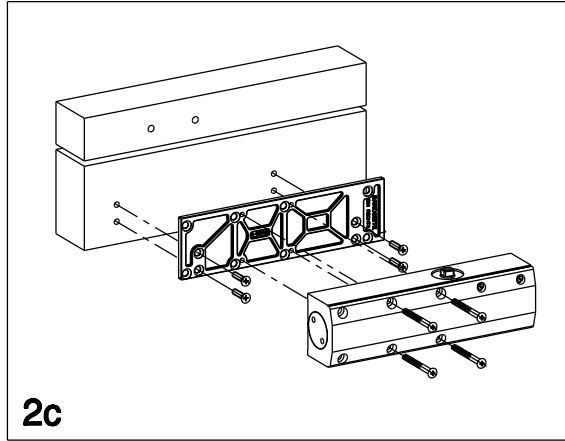
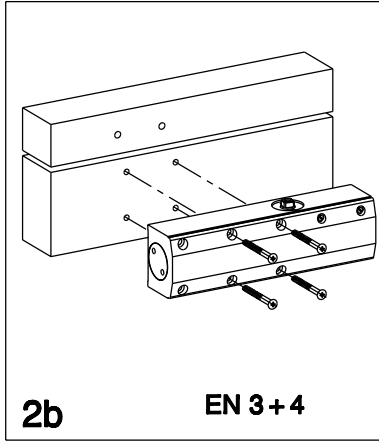
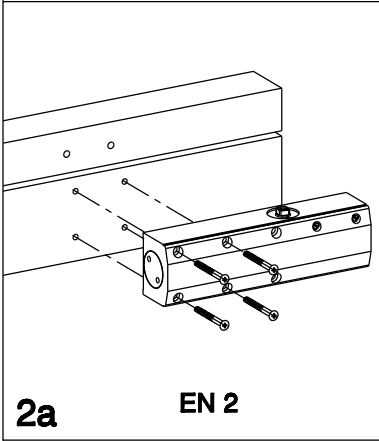
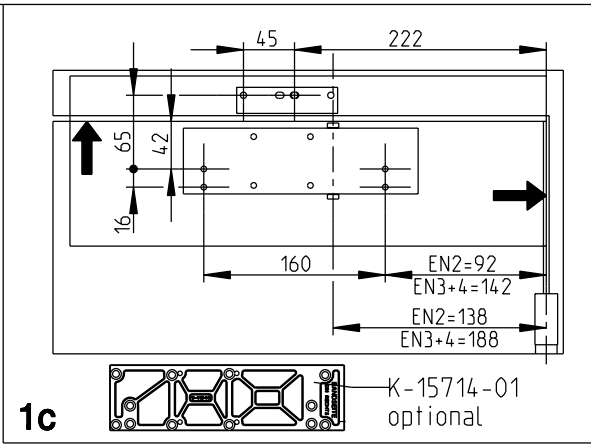
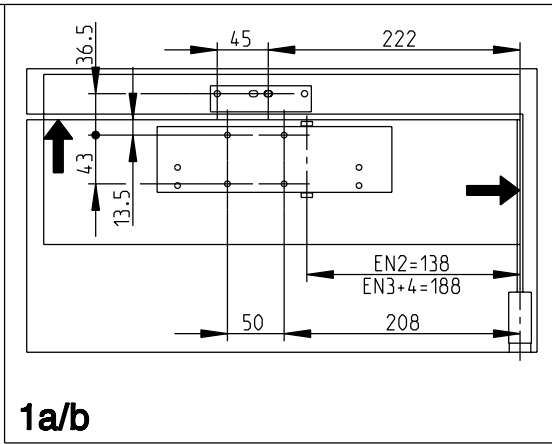
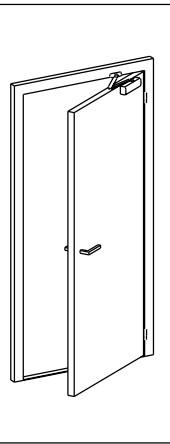


Description
DCL 80 Normalmontage, Bandseite DIN links K-15712-01
DCL 80 standard mounting on hinge side, DIN left K-15712-01

	Release No.	Level	released_		Scale	Modification	Size
	Mod. No. G24616	Ver.	--	Si			
	Replacement for M-00113-01		Draft	26.04.10	Se	Drawing No.	0-45362-PT-0-0

Proprietary rights apply in accordance with ISO 16016.



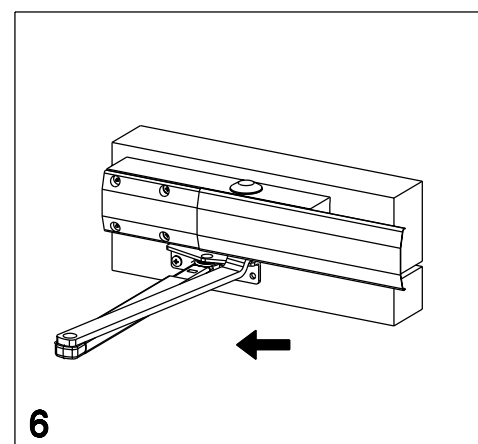
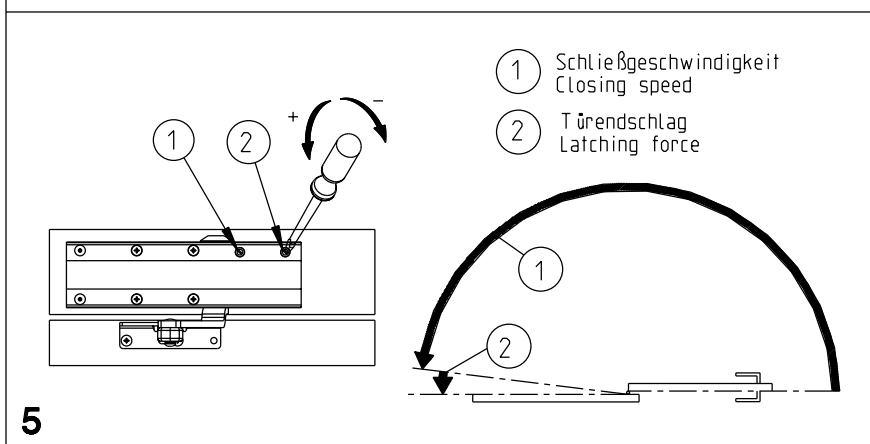
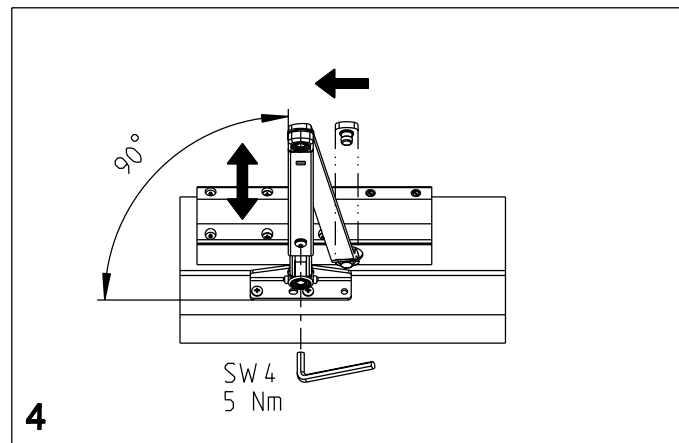
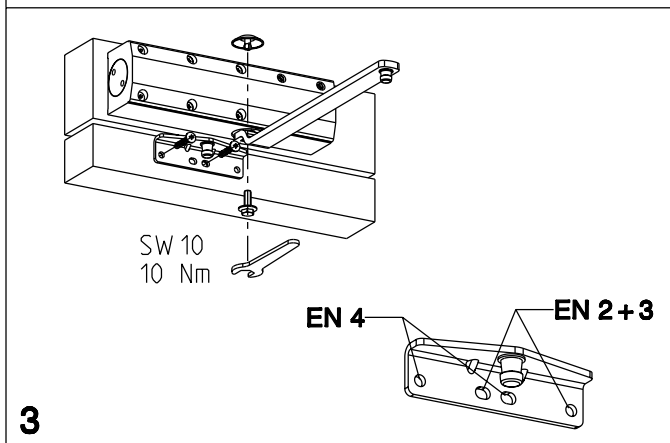
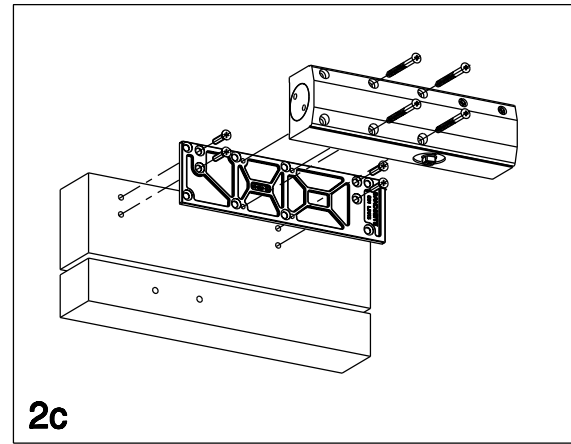
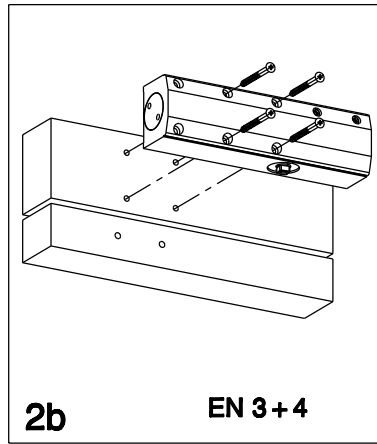
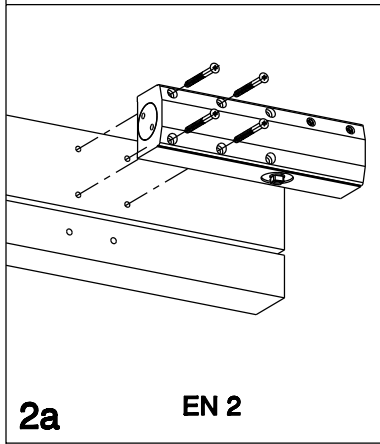
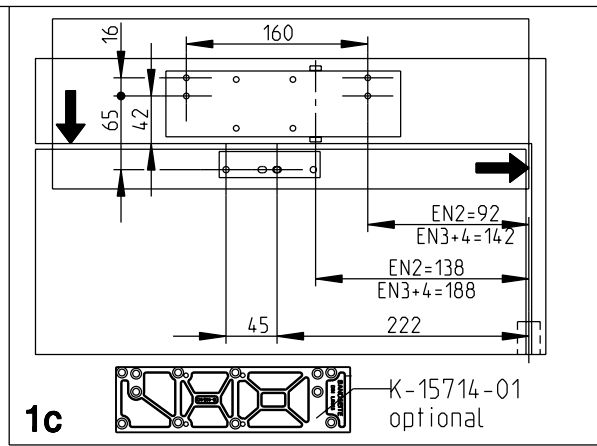
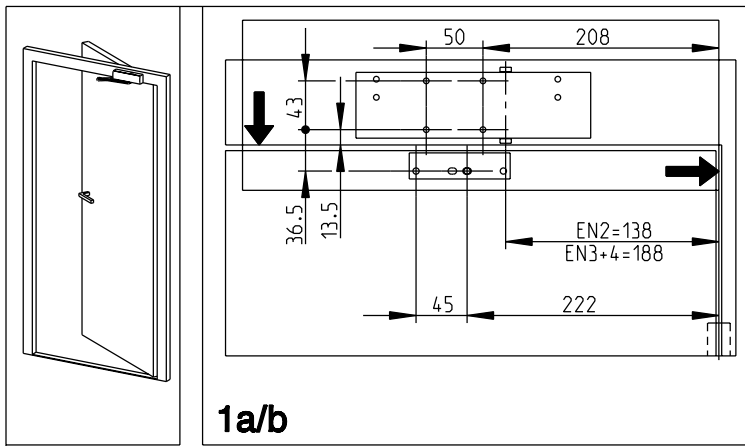
Montageanleitung / assembly instructions

20100423

Description
DCL 80 Normalmontage Bandseite, DIN rechts K-15712-01
 -
DCL 80 standard mounting on hinge side, DIN right K-15712-01

HÄFELE	Release No. --	Level	released_		Scale %	Modification }	Size 4
	Mod. No. G24616	Ver.	--	Si			Drawing No. 0-45362-PT-0-0
	Replacement for M-00113-01		Draft	26.04.10	Se		

Proprietary rights apply in accordance with ISO 16016.



Description
DCL 80 Kopfmontage Bandgegenseite, DIN links K-15712-01

DCL 80 transom mounting opposite to hinge side, DIN left K-15712-01

Montageanleitung / assembly instructions

20100423



Release No.
--
Mod. No.
G24616

Level	released_	Scale	Modification	Size
Ver.	--	%	3	4
Draft	26.04.10			Drawing No.

Scale
%

Modification
3
Drawing No.

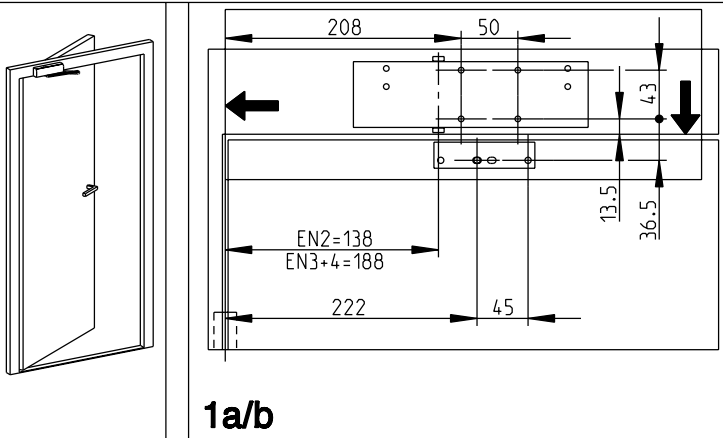
Size
4
Sheet

Replacement for M-00113-01

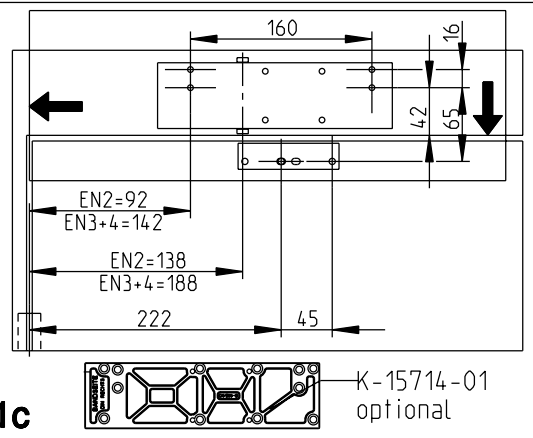
0-45362-PT-0-0

3/4

Proprietary rights apply in accordance with ISO 16016.

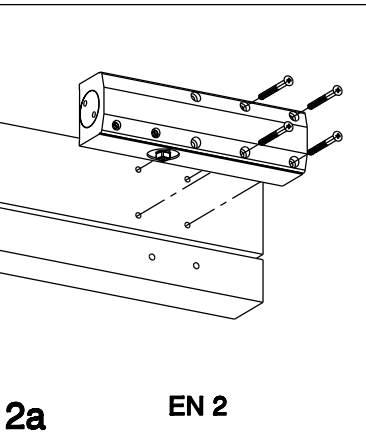


1a/b



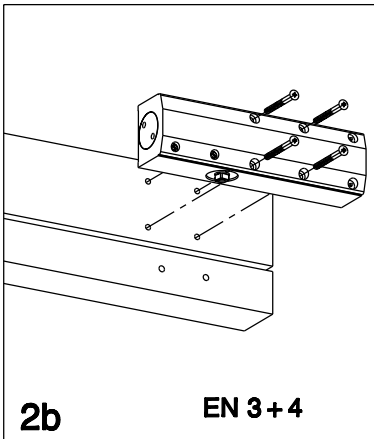
1c

K-15714-01
optional



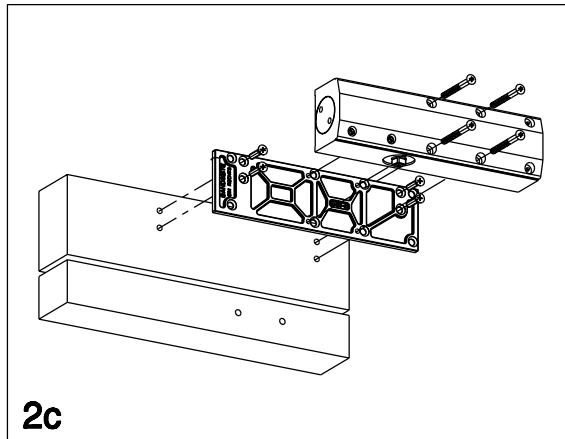
2a

EN 2

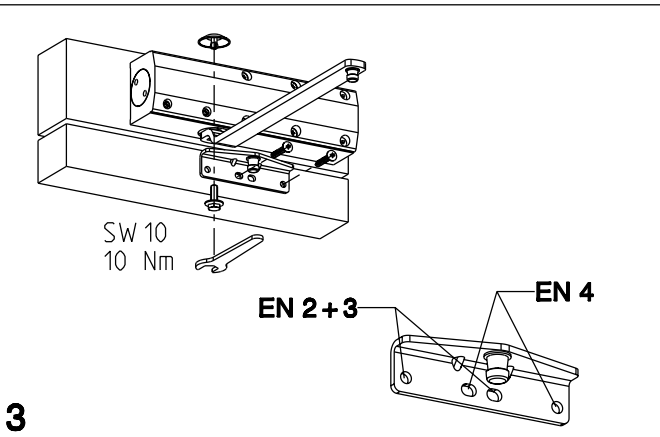


2b

EN 3+4



2c

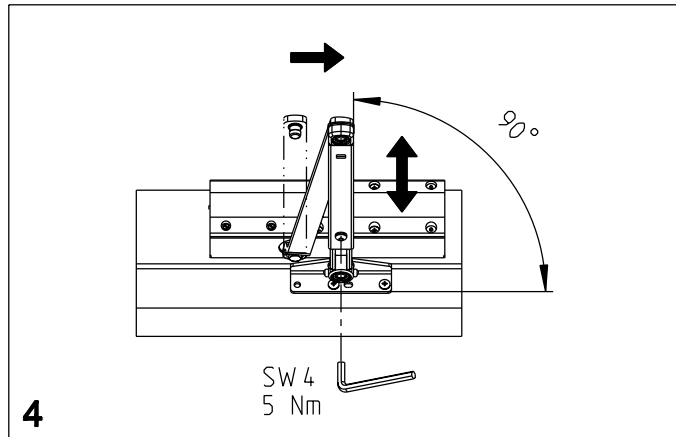


3

SW 10
10 Nm

EN 2+3

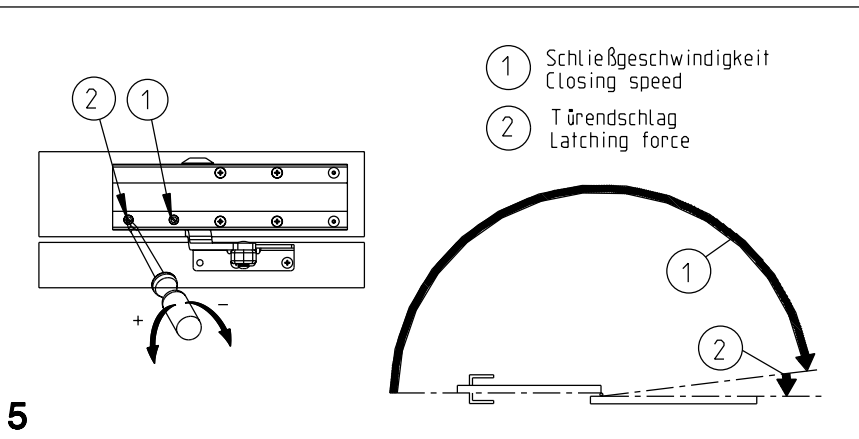
EN 4



4

SW 4
5 Nm

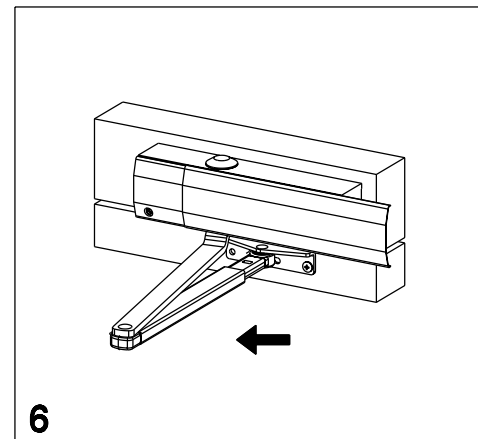
90°



5

1 Schließgeschwindigkeit
Closing speed

2 Türenschlag
Latching force



6

Montageanleitung / assembly instructions

20100423

Description
DCL 80 Kopfmontage Bandgegenseite, DIN rechts K-15712-01

DCL 80 transom mounting opposite to hinge side, DIN right K-15712-01

	Release No.	Level	released_		Scale	Modification	Size
	--	Ver.	--	Si			
	Mod. No. G24616	Draft	26.04.10	Se		Drawing No. 0-45362-PT-0-0	Sheet 4 / 4
Replacement for M-00113-01							